

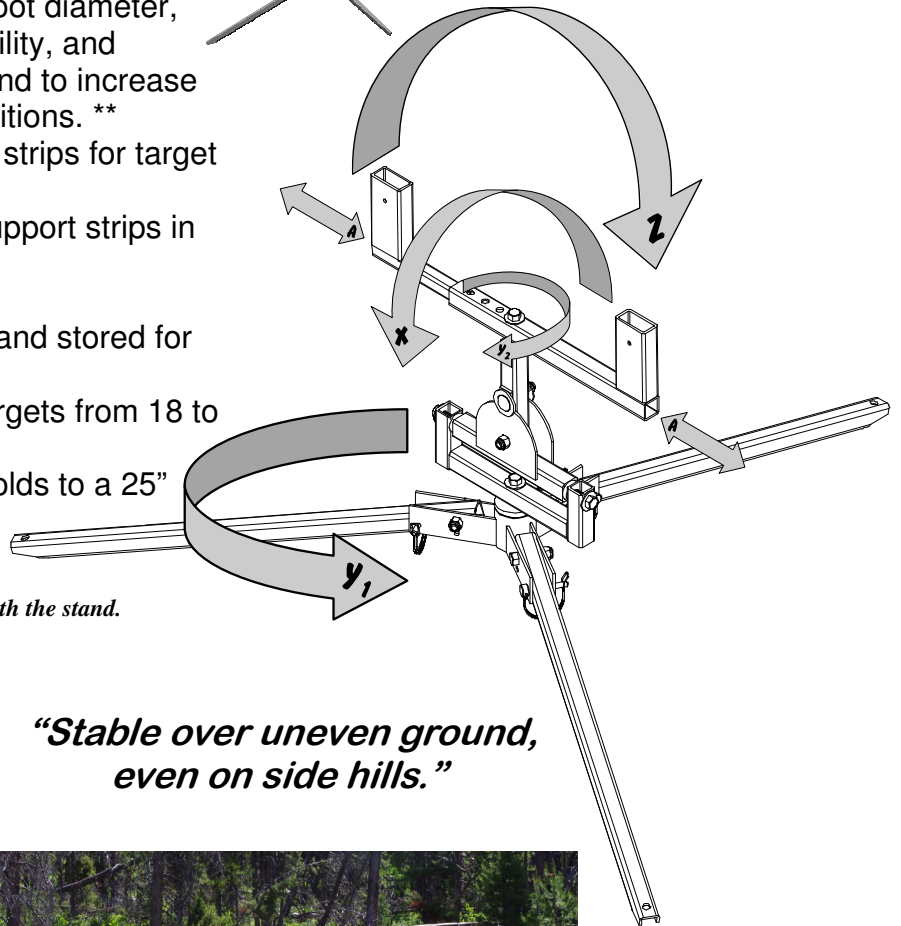


“The target stand that adapts to the terrain.”



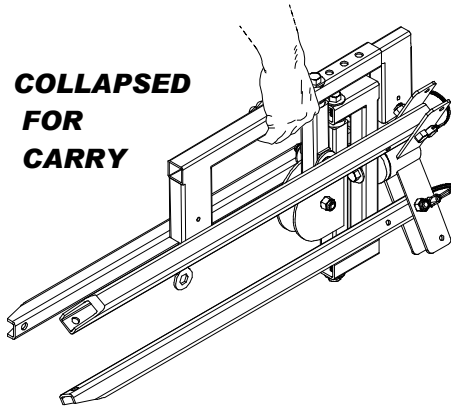
FEATURES:

- **Five degrees of adjustment** to compensate for an uneven ground surface and to setup for unique shoot scenarios. Patent Pending.
- **Wide three point stance**, over 4 foot diameter, with a low center of gravity for stability, and each leg can be staked to the ground to increase stability in adverse and windy conditions. **
- **Uses standard 3/4” x 1 1/2” furring strips** for target support. **
- **Thumb screws** to tighten target support strips in place.
- **All Steel, Modular Construction**
- **Convenient flat wrench** included and stored for adjusting the stand in the field.
- **Adjustable widths** for standard targets from 18 to 24 inches wide.
- **Collapsible for transportation.** Folds to a 25” x 12” x 10” easy carry package, weighing 18 lbs.



** stakes, furring strips, and target are not included with the stand.

**COLLAPSED
FOR
CARRY**



*“Stable over uneven ground,
even on side hills.”*



Contact Information:

Inner Sanctum Solutions, LLC.
11044 W. Peconic Dr.
Boise, ID 83709, USA

Phone: 208-362-4048
URL: www.swivelhiptargets.com
Email: info@swivelhiptargets.com

